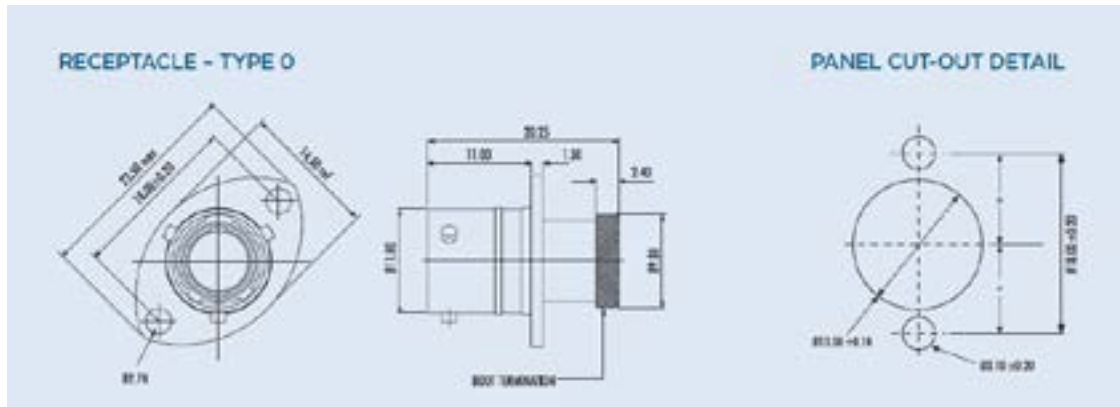


Autosport Connectors

Type 0 Micro Series



Specifications

Standard Connector

Connector comes with pins/sockets and an insertion/extraction tool

Materials

Shell/Coupling ring:
High Strength Aluminium alloy
Black Zinc finish

Contacts:

Copper alloy
Gold plated

Insulators:

Thermoplastic

Interface/Wire seals:

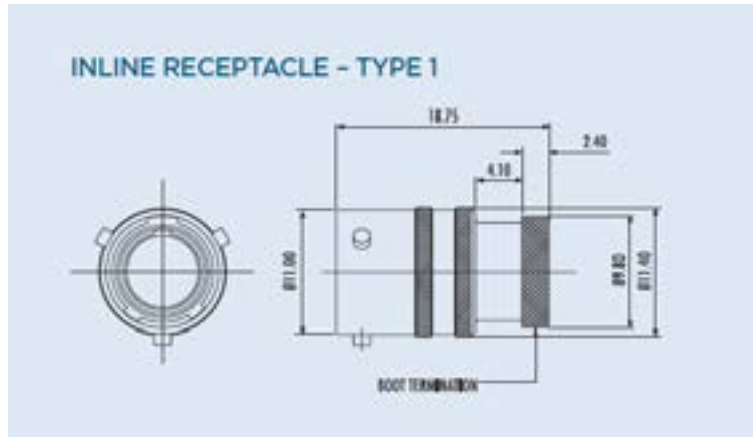
Fluorinated silicone

Features

Compact Design
Cable accommodation - 22, 24, 26, & 28 AWG
Locking coupling mechanism
Black zinc finish
Interfacial and wire sealing
Integral screen/boot termination feature
In-line and two hole mounting styles
Gold-plated crimp contacts
5 Keyway orientations
Universal orientation for test equipment (Plug type 6 only)

Web	Item Number	Contact Type	Key Color
	MS ASL006-05PA	PIN	YELLOW
	MS ASL006-05PB	PIN	BLUE
	MS ASL006-05PC	PIN	ORANGE
	MS ASL006-05PD	PIN	GREEN
	MS ASL006-05PN	PIN	RED
	MS ASL006-05SA	SOCKET	YELLOW
	MS ASL006-05SB	SOCKET	BLUE
	MS ASL006-05SC	SOCKET	ORANGE
	MS ASL006-05SD	SOCKET	GREEN
	MS ASL006-05SN	SOCKET	RED

Type 1 Micro Series



Web	Item Number	Contact Type	Key Color
	MS ASL106-05PA	PIN	YELLOW
	MS ASL106-05PC	PIN	ORANGE
	MS ASL106-05PD	PIN	GREEN
	MS ASL106-05PN	PIN	RED
	MS ASL106-05SA	SOCKET	YELLOW
	MS ASL106-05SB	SOCKET	BLUE
	MS ASL106-05SC	SOCKET	ORANGE
	MS ASL106-05SD	SOCKET	GREEN
	MS ASL106-05SN	SOCKET	RED

Specifications

Standard Connector

Connector comes with pins/sockets and an insertion/extraction tool

Materials

Shell/Coupling ring:
High Strength Aluminium alloy
Black Zinc finish

Contacts:

Copper alloy
Gold plated

Insulators:

Thermoplastic

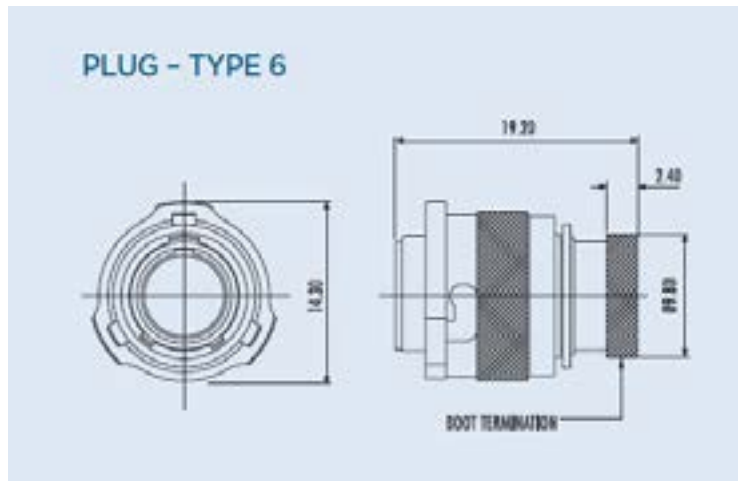
Interface/Wire seals:

Fluorinated silicone

Features

Compact Design
Cable accommodation - 22, 24, 26, & 28 AWG
Locking coupling mechanism
Black zinc finish
Interfacial and wire sealing
Integral screen/boot termination feature
In-line and two hole mounting styles
Gold-plated crimp contacts
5 Keyway orientations
Universal orientation for test equipment (Plug type 6 only)

Type 6 Micro Series



Specifications

Standard Connector

Connector comes with pins/sockets and an insertion/ extraction tool

Materials

Shell/Coupling ring:
High Strength Aluminium alloy
Black Zinc finish

Contacts:

Copper alloy
Gold plated

Insulators:

Thermoplastic

Interface/Wire seals:

Fluorinated silicone

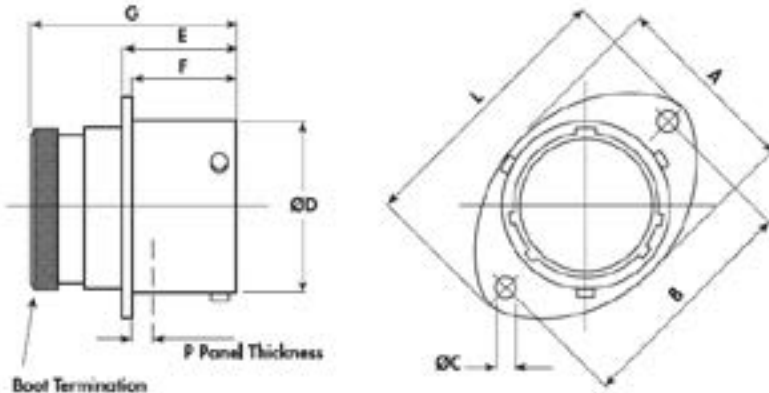
Features

Compact Design
Cable accommodation - 22, 24, 26, & 28 AWG
Locking coupling mechanism
Black zinc finish
Interfacial and wire sealing
Integral screen/boot termination feature
In-line and two hole mounting styles
Gold-plated crimp contacts
5 Keyway orientations
Universal orientation for test equipment (Plug type 6 only)

Web	Item Number	Contact Type	Key Color
	MS ASL606-05PA	PIN	YELLOW
	MS ASL606-05PB	PIN	BLUE
	MS ASL606-05PC	PIN	ORANGE
	MS ASL606-05PD	PIN	GREEN
	MS ASL606-05PN	PIN	RED
	MS ASL606-05PU	PIN	GREY
	MS ASL606-05SA	SOCKET	YELLOW
	MS ASL606-05SB	SOCKET	BLUE
	MS ASL606-05SC	SOCKET	ORANGE
	MS ASL606-05SD	SOCKET	GREEN
	MS ASL606-05SN	SOCKET	RED
	MS ASL606-05SU	SOCKET	GREY

Type 0 AS Series

RECEPTACLE - TYPE 0



Shell Size	A MIN	B ±0.2	C +0.1 -0	D +0 -0.05	E +0.05 -0	F +0 -0.3	G MAX	L MAX	P MAX		
08	16.50	21.75	5.20	13.00	0.70	6.05	33.50	17.20	100		
12	18.50	25.90		15.00				19.00		22.20	22.20
16	24.00	29.30		19.05				25.20		28.40	28.40
20	27.00	32.50		22.20				28.50		34.00	34.00
24	30.30	34.80		25.40				30.50		37.00	37.00
28	33.70	36.20		28.50				33.00		40.00	40.00
32	37.00	41.60		31.70				35.50		44.00	44.00
36	40.00	44.90		34.90				38.00		47.00	47.00
40	43.30	46.30		38.10				40.50		50.00	50.00
44	46.50	48.50		41.30				43.00		53.00	53.00

Web	Item Number	Contact Type	# Of Contacts			Key
			16	20	22	
	MS AS008-35PN	PIN			6	RED
	MS AS008-35SN	SOCKET			6	RED
	MS AS010-35PN	PIN			13	RED
	MS AS010-35SN	SOCKET			13	RED
	MS AS010-98SN	SOCKET		6		RED
	MS AS012-35PN	PIN			22	RED
	MS AS012-35SN	SOCKET			22	RED
	MS AS012-98SN	SOCKET		10		RED
	MS AS014-19PN	PIN		19		RED
	MS AS014-19SN	SOCKET		19		RED
	MS AS014-35SN	SOCKET			37	RED
	MS AS016-26PN	PIN		26		RED
	MS AS016-26SN	SOCKET		26		RED
	MS AS016-35PN	PIN			55	RED
	MS AS016-35SN	SOCKET			55	RED
	MS AS018-35PN	PIN			66	RED
	MS AS022-21SN	SOCKET	21			RED

Specifications

Standard Connector

Connector comes with pins/sockets and an insertion/extraction tool

Materials

Shell/Coupling ring:
High Strength Aluminium alloy
Black Zinc finish

Contacts:

Copper alloy
Gold plated

Insulators:

Thermoplastic

Interface/Wire seals:

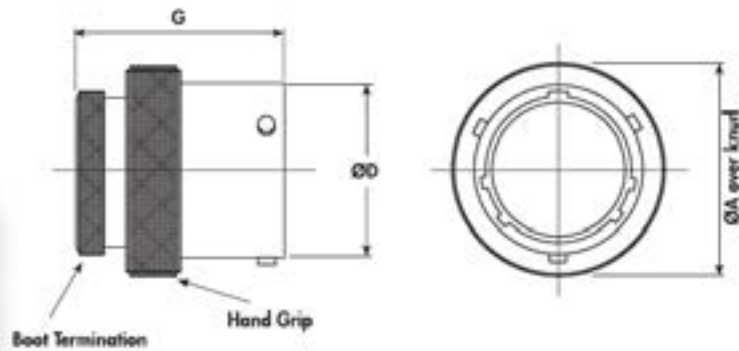
Fluorinated silicone

Features

High Density arrangements up to 128 ways
Three contact sizes: 16, 20, and 22 AWG
Locking coupling mechanism
Black zinc finish
Interfacial and wire sealing
Integral screen/boot termination feature
In-line and two hole mounting styles
Gold-plated crimp contacts
Filter, Hermetic, and Fiber Optic options available
Universal orientation for test equipment (Plug type 6 only)

Type 1 AS Series

INLINE RECEPTACLE - TYPE 1



Shell Size	A MAX	D +0 -0.11	G MAX
08	11.70	12.00	33.50
10	20.80	15.00	
12	25.20	18.05	
14	28.40	22.22	
16	31.50	25.40	
18	34.80	28.57	
20	38.20	31.75	
22	41.50	34.92	
24	44.60	38.10	



Specifications

Standard Connector

Connector comes with pins/sockets and an insertion/extraction tool

Materials

Shell/Coupling ring:
High Strength Aluminium alloy
Black Zinc finish

Contacts:

Copper alloy
Gold plated

Insulators:

Thermoplastic

Interface/Wire seals:

Fluorinated silicone

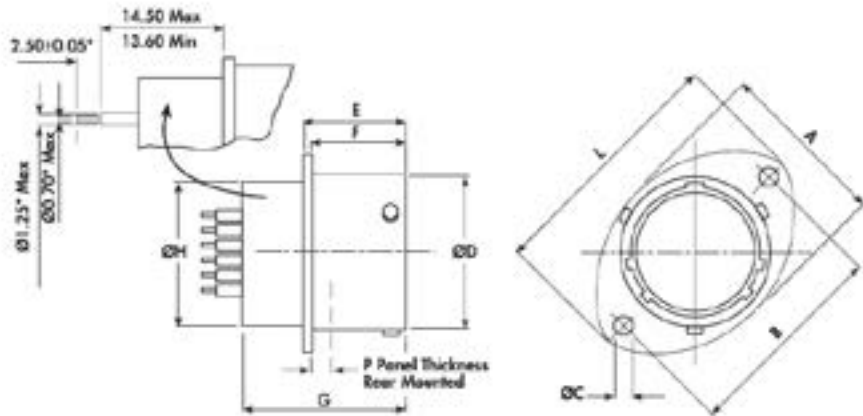
Features

High Density arrangements up to 128 ways
Three contact sizes: 16, 20, and 22 AWG
Locking coupling mechanism
Black zinc finish
Interfacial and wire sealing
Integral screen/boot termination feature
In-line and two hole mounting styles
Gold-plated crimp contacts
Filter, Hermetic, and Fiber Optic options available
Universal orientation for test equipment (Plug type 6 only)

Web	Item Number	Contact Type	# Of Contacts			Key
			16	20	22	
	MS AS108-35PN	PIN			6	RED
	MS AS108-35SN	SOCKET			6	RED
	MS AS110-35PA	PIN			13	YELLOW
	MS AS110-35PN	PIN			13	RED
	MS AS110-35SN	SOCKET			13	RED
	MS AS110-98PN	PIN		6		RED
	MS AS112-35PN	PIN			22	RED
	MS AS112-35SN	SOCKET			22	RED
	MS AS112-98SN	SOCKET		10		RED
	MS AS114-35PN	PIN			37	RED
	MS AS114-35SN	SOCKET			37	RED
	MS AS116-26PN	PIN		26		RED
	MS AS118-35PN	PIN			66	RED

Type 2 AS Series

PCB BOX MOUNTING RECEPTACLE - TYPE 2



Dimensions for 20 and 22 contacts shown are for standard parts, other PCB contacts are available



Shell Size	I MIL	J ±0.2	C +0.1 -0	D +0 -0.05	E +0.5 -0	F +0 -0.15	G MIL	H MIL	I MIL	P MIL
08	16.50	15.40	12	0.00	0.2	0.05	2.00	0.00	22.70	1.00
10	19.50	18.20		5.00				14.27	12.90	
2	24.00	23.00		10.05				17.44	15.20	
4	27.00	26.20		12.22				19.61	18.40	
6	30.30	29.00		15.40				21.77	20.00	
8	33.70	32.20		18.57				23.94	22.70	
10	37.00	35.20		21.75				26.11	25.40	
12	40.00	38.25		24.92				28.28	28.10	
14	43.30	41.0	27	30.0	30.40	31.40	33.40	35.40	3.75	

Specifications

Standard Connector

Connector comes with pins/sockets and an insertion/extraction tool

Materials

Shell/Coupling ring:
High Strength Aluminium alloy
Black Zinc finish

Contacts:

Copper alloy
Gold plated

Insulators:

Thermoplastic

Interface/Wire seals:

Fluorinated silicone

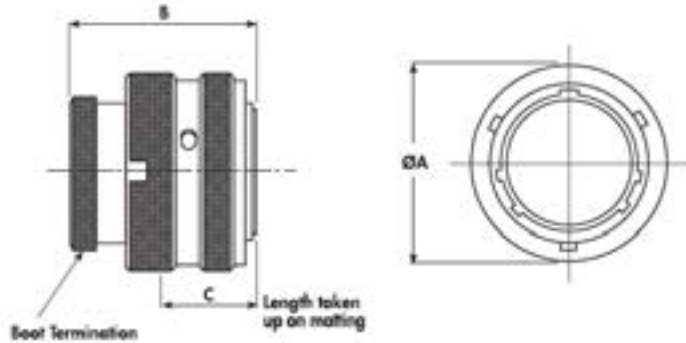
Features

High Density arrangements up to 128 ways
Three contact sizes: 16, 20, and 22 AWG
Locking coupling mechanism
Black zinc finish
Interfacial and wire sealing
Integral screen/boot termination feature
In-line and two hole mounting styles
Gold-plated crimp contacts
Filter, Hermetic, and Fiber Optic options available
Universal orientation for test equipment (Plug type 6 only)

MS AS208-35PN	PIN			6	RED
MS AS208-35SN	SOCKET			6	RED
MS AS210-35PA	PIN			13	YELLOW
MS AS210-35PN	PIN			13	RED
MS AS210-35SN	SOCKET			13	RED
MS AS212-35PN	PIN		6		RED
MS AS212-35SN	SOCKET			22	RED

Type 6 AS Series

PLUG - TYPE 6



Shell Size	A MAX	B MAX	C MAX
08	17.70		
10	20.80		
12	25.20		
14	28.40		
16	31.50	33.50	35.00
18	34.80		
20	38.20		
22	41.30		
24	44.60		



Specifications

Standard Connector

Connector comes with pins/sockets and an insertion/extraction tool

Materials

Shell/Coupling ring:
High Strength Aluminium alloy
Black Zinc finish

Contacts:

Copper alloy
Gold plated

Insulators:

Thermoplastic

Interface/Wire seals:

Fluorinated silicone

Features

High Density arrangements up to 128 ways
Three contact sizes: 16, 20, and 22 AWG
Locking coupling mechanism
Black zinc finish
Interfacial and wire sealing
Integral screen/boot termination feature
In-line and two hole mounting styles
Gold-plated crimp contacts
Filter, Hermetic, and Fiber Optic options available
Universal orientation for test equipment (Plug type 6 only)

Web	Item Number	Contact Type	# Of Contacts			Key
			16	20	22	
	MS AS608-35PN	PIN			6	RED
	MS AS608-35SN	SOCKET			6	RED
	MS AS610-35PN	PIN			13	RED
	MS AS610-35SA	SOCKET			13	YELLOW
	MS AS610-35SN	SOCKET			13	RED
	MS AS610-98PN	PIN		6		RED
	MS AS610-98SN	SOCKET		6		RED
	MS AS612-35PN	PIN			22	RED
	MS AS612-35SN	SOCKET			22	RED
	MS AS612-98PN	PIN		10		RED
	MS AS614-19PN	PIN		19		RED
	MS AS614-19SN	SOCKET		19		RED
	MS AS614-35PN	PIN			37	RED
	MS AS614-35SN	SOCKET			37	RED
	MS AS616-26PN	PIN		26		RED
	MS AS616-26SN	SOCKET		26		RED
	MS AS616-35PN	PIN			55	RED
	MS AS616-35SA	SOCKET			55	YELLOW
	MS AS616-35SN	SOCKET			55	RED
	MS AS618-35PN	PIN			66	RED
	MS AS618-35SN	SOCKET			66	RED
	MS AS620-16PN	PIN	16			RED
	MS AS620-35SN	SOCKET			79	RED
	MS AS622-21PN	PIN	21			RED